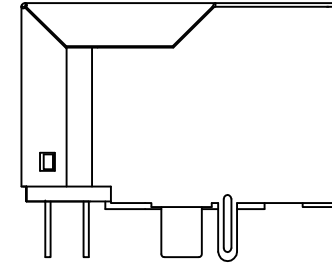
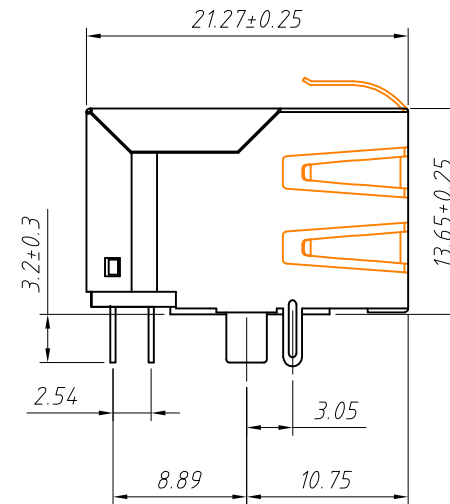


PCB Layout



With Shield



With EMI Shield

Material:
Housing: PBT+Glass Filled Polyester
Flammability Rating : UL 94 V-0
Contacts: Phosphor Bronze φ0.46mm
Plating: Gold Plating
Shield: Brass, Tin Plating
Electrical:
Voltage Rating: 125VAC
Current Rating: 1.5A
Contact Resistance: 30mΩ Max.
Insulation Resistance: 500MΩ Min.
Dielectric Strength: 1000VAC Rms
50Hz, 1 Min.
Durability: 600 cycles Min.
Operation Temperature: -40°C ~ +70°C

Order Information

L-KLS12-107-8P8C-1x4-X-1-XX

RoHS

Contacts: 8P8C

Shield Code:

W-With Shield

E- With EMI Shield

Shield Peg Code:

1-Front Peg 3.05mm

2-Front Peg 3.68mm

3-Front Peg 4.57mm

4-Black Peg 3.05mm

Plating Code:

01-Fu" Gold Plating

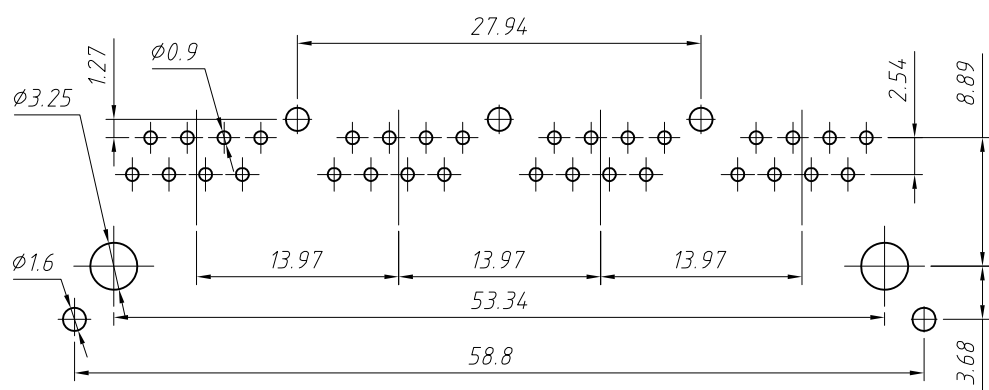
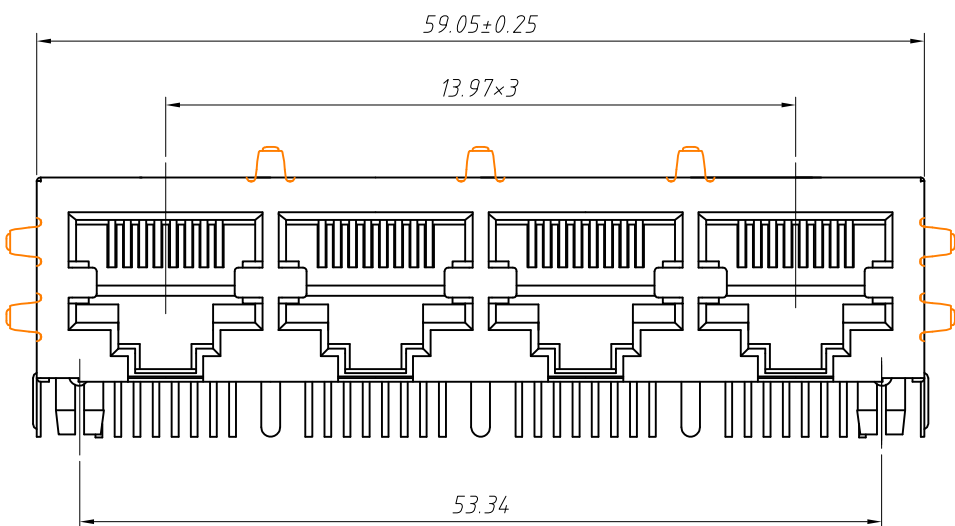
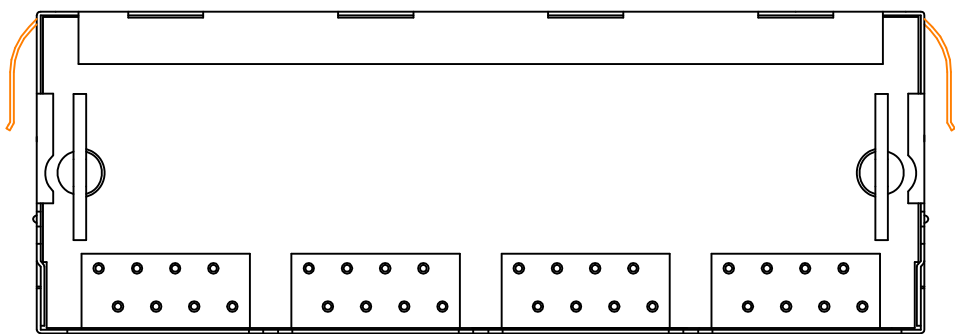
02-3u" Gold Plating

03-6u" Gold Plating

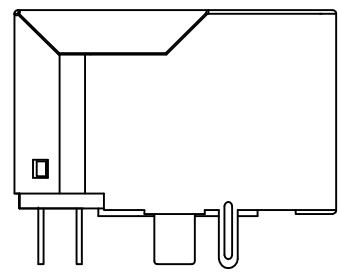
04-15u" Gold Plating

05-30u" Gold Plating

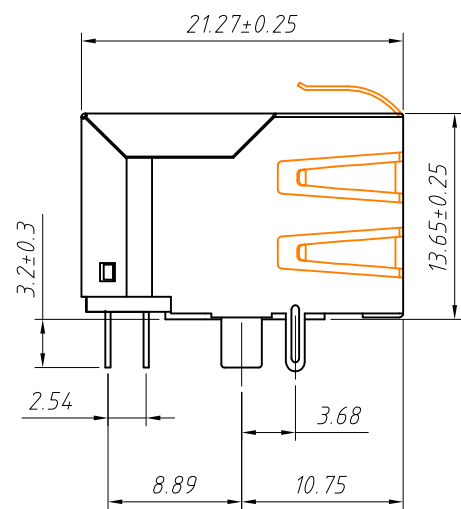
| GENERAL TOLERANCE | PROJECTION | | Description: |
|-------------------|------------|------------|---|
| X. ±0.30 | UNITS | mm | Modular jacks, RJ45-8P8C 1x4 Jack Front 3.05mm |
| .X ±0.25 | SCALE | 1:1 | |
| .XX ±0.20 | Draw by: | Jenny | KLS P/N: L-KLS12-107-8P8C-1x4-x-1-xx |
| ANGLE TOLERANCE | Check by: | Daniel | |
| X. ±3° | Date | 2018-03-01 | NingBo KLS ELECTRONIC CO.,LTD. |
| .X ±2° | SHEET | 1 OF 1 | |
| .XX ±1° | | | |



PCB Layout



With Shield



With EMI Shield

Material:
 Housing: PBT+Glass Filled Polyester
 Flammability Rating : UL 94 V-0
 Contacts: Phosphor Bronze $\phi 0.46\text{mm}$
 Plating: Gold Plating
 Shield: Brass, Tin Plating
 Electrical:
 Voltage Rating: 125VAC
 Current Rating: 1.5A
 Contact Resistance: $30\text{m}\Omega$ Max.
 Insulation Resistance: $500\text{M}\Omega$ Min.
 Dielectric Strength: 1000VAC Rms
 50Hz, 1 Min.
 Durability: 600 cycles Min.
 Operation Temperature: $-40^{\circ}\text{C} \sim +70^{\circ}\text{C}$

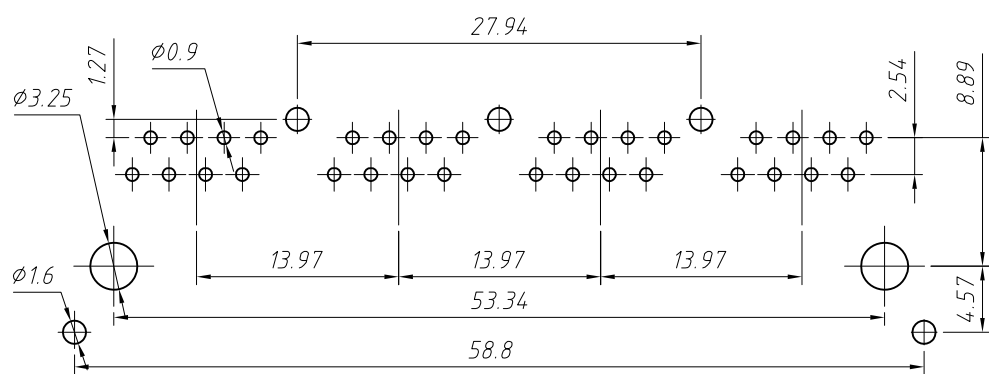
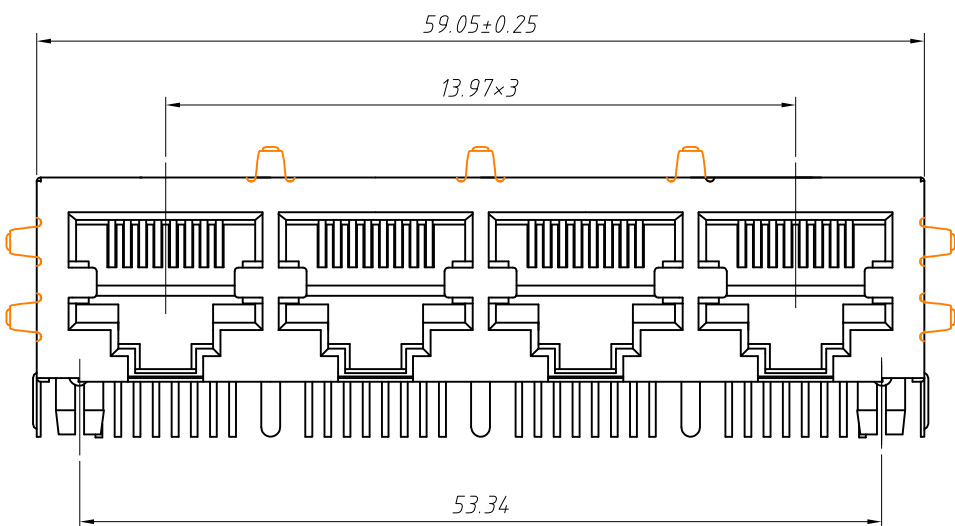
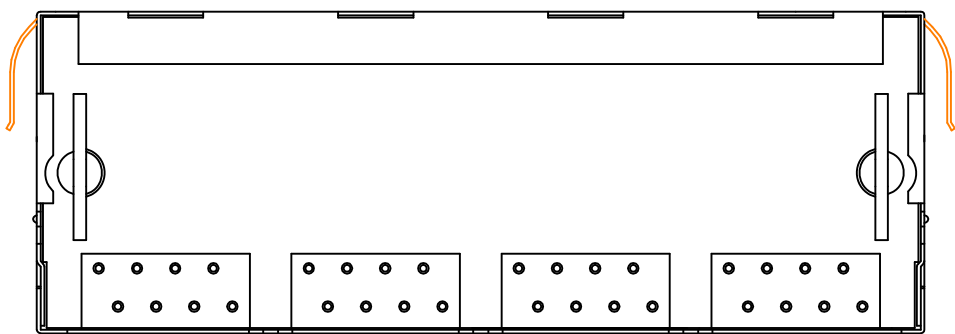
Order Information

L-KLS12-107-8P8C-1x4-X-2-XX

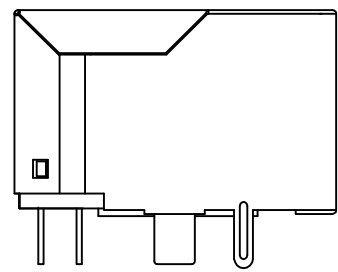
RoHS
 Contacts: 8P8C
 Shield Code:
 W-With Shield
 E- With EMI Shield
 Shield Peg Code:
 1-Front Peg 3.05mm
 2-Front Peg 3.68mm
 3-Front Peg 4.57mm
 4-Black Peg 3.05mm

Plating Code:
 01-Fu" Gold Plating
 02-3u" Gold Plating
 03-6u" Gold Plating
 04-15u" Gold Plating
 05-30u" Gold Plating

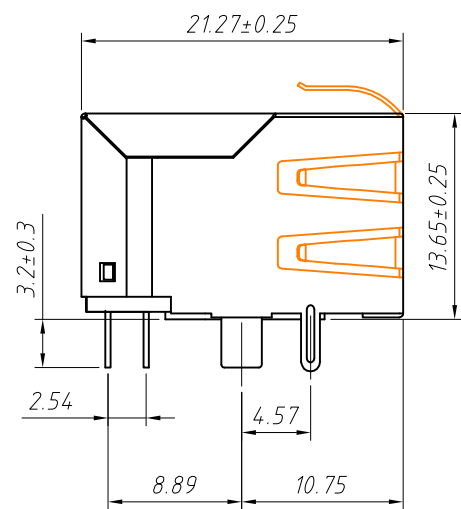
| GENERAL TOLERANCE | PROJECTION | | Description: |
|---------------------|------------|------------|---|
| X. ± 0.30 | UNITS | mm | Modular jacks, RJ45-8P8C 1x4 Jack Front 3.68mm |
| .X ± 0.25 | SCALE | 1:1 | |
| .XX ± 0.20 | Draw by: | Jenny | KLS P/N: L-KLS12-107-8P8C-1x4-x-2-xx |
| ANGLE TOLERANCE | Check by: | Daniel | |
| X. $\pm 3^{\circ}$ | Date | 2018-03-01 | NingBo KLS ELECTRONIC CO.,LTD. |
| .X $\pm 2^{\circ}$ | SHEET | 1 OF 1 | |
| .XX $\pm 1^{\circ}$ | | | |



PCB Layout



With Shield



With EMI Shield

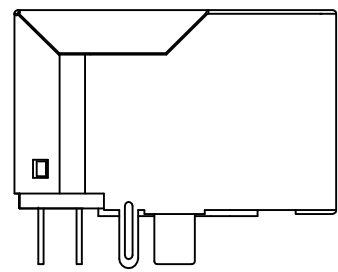
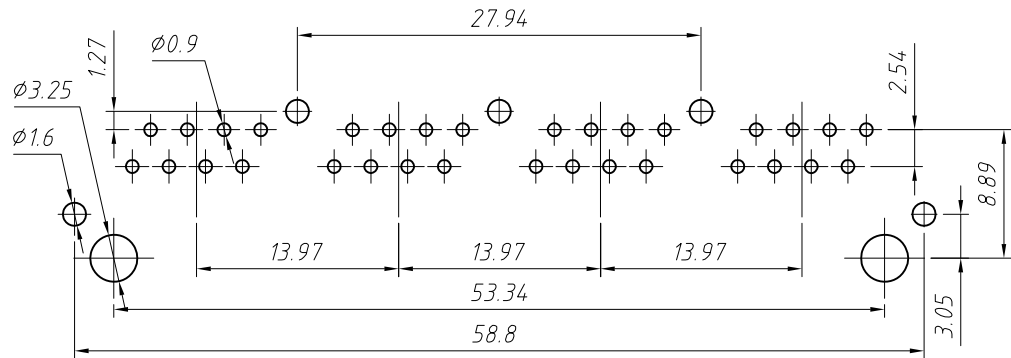
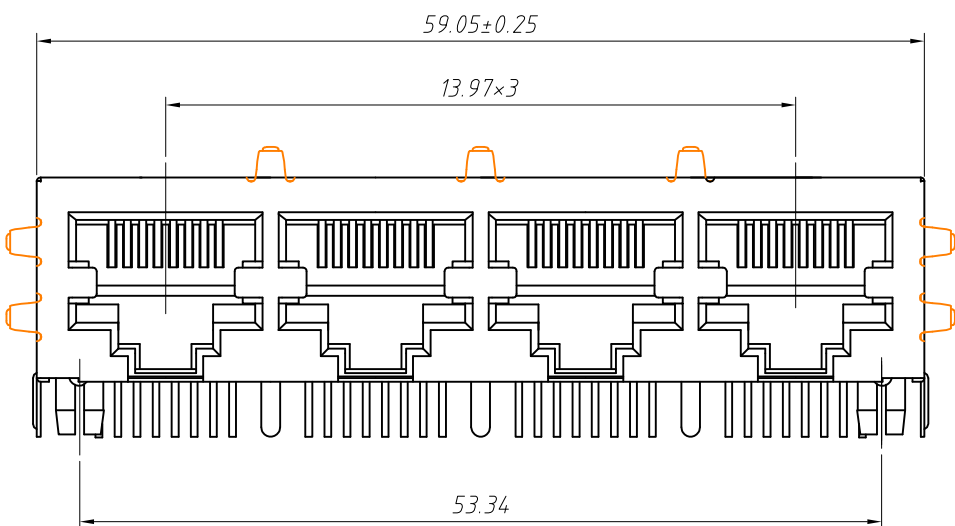
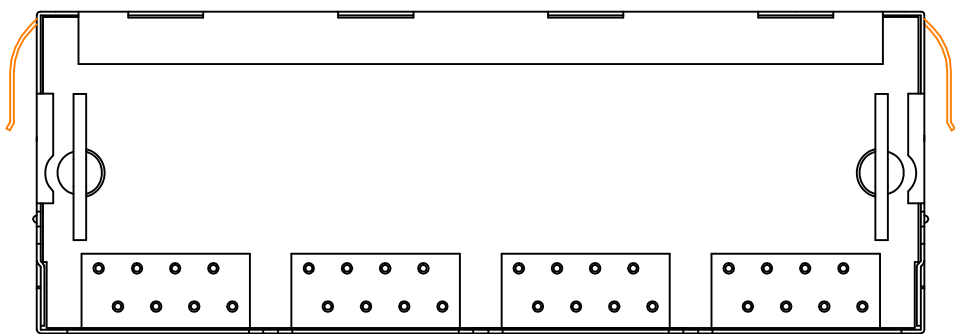
Material:
 Housing: PBT+Glass Filled Polyester
 Flammability Rating : UL 94 V-0
 Contacts: Phosphor Bronze $\phi 0.46\text{mm}$
 Plating: Gold Plating
 Shield: Brass, Tin Plating
 Electrical:
 Voltage Rating: 125VAC
 Current Rating: 1.5A
 Contact Resistance: $30\text{m}\Omega$ Max.
 Insulation Resistance: $500\text{M}\Omega$ Min.
 Dielectric Strength: 1000VAC Rms
 50Hz, 1 Min.
 Durability: 600 cycles Min.
 Operation Temperature: $-40^{\circ}\text{C} \sim +70^{\circ}\text{C}$

Order Information

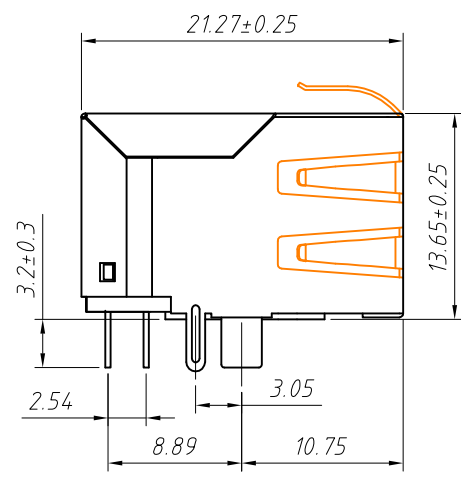
L-KLS12-107-8P8C-1x4-X-3-XX

RoHS
 Contacts: 8P8C
 Shield Code:
 W-With Shield
 E- With EMI Shield
 Shield Peg Code:
 1-Front Peg 3.05mm
 2-Front Peg 3.68mm
 3-Front Peg 4.57mm
 4-Black Peg 3.05mm
 Plating Code:
 01-Fu" Gold Plating
 02-3u" Gold Plating
 03-6u" Gold Plating
 04-15u" Gold Plating
 05-30u" Gold Plating

| GENERAL TOLERANCE | PROJECTION | | Description: |
|---------------------|------------|------------|---|
| X. ± 0.30 | UNITS | mm | Modular jacks, RJ45-8P8C 1x4 Jack Front 4.57mm |
| .X ± 0.25 | SCALE | 1:1 | |
| .XX ± 0.20 | Draw by: | Jenny | KLS P/N: L-KLS12-107-8P8C-1x4-x-3-xx |
| ANGLE TOLERANCE | Check by: | Daniel | |
| X. $\pm 3^{\circ}$ | Date | 2018-03-01 | NingBo KLS ELECTRONIC CO.,LTD. |
| .X $\pm 2^{\circ}$ | SHEET | 1 OF 1 | |
| .XX $\pm 1^{\circ}$ | | | |



With Shield



With EMI Shield

Material:
 Housing: PBT+Glass Filled Polyester
 Flammability Rating : UL 94 V-0
 Contacts: Phosphor Bronze ∅0.46mm
 Plating: Gold Plating
 Shield: Brass, Tin Plating

Electrical:
 Voltage Rating: 125VAC
 Current Rating: 1.5A
 Contact Resistance: 30mΩ Max.
 Insulation Resistance: 500MΩ Min.
 Dielectric Strength: 1000VAC Rms
 50Hz, 1 Min.
 Durability: 600 cycles Min.
 Operation Temperature: -40°C ~ +70°C

Order Information

L-KLS12-107-8P8C-1x4-X-4-XX

RoHS
 Contacts: 8P8C
 Shield Code:

W-With Shield
 E- With EMI Shield
 Shield Peg Code:
 1-Front Peg 3.05mm
 2-Front Peg 3.68mm
 3-Front Peg 4.57mm
 4-Black Peg 3.05mm

Plating Code:
 01-Fu" Gold Plating
 02-3u" Gold Plating
 03-6u" Gold Plating
 04-15u" Gold Plating
 05-30u" Gold Plating

| GENERAL TOLERANCE | PROJECTION | | Description: |
|-------------------|------------|------------|--|
| X. ±0.30 | UNITS | mm | Modular jacks, RJ45-8P8C 1x4 Jack Back 3.05mm |
| .X ±0.25 | SCALE | 1:1 | |
| .XX ±0.20 | Draw by: | Jenny | KLS P/N: L-KLS12-107-8P8C-1x4-x-4-xx |
| ANGLE TOLERANCE | Check by: | Daniel | NingBo KLS ELECTRONIC CO.,LTD. |
| X. ±3° | Date | 2018-03-01 | |
| .X ±2° | SHEET | 1 OF 1 | |
| .XX ±1° | | | |